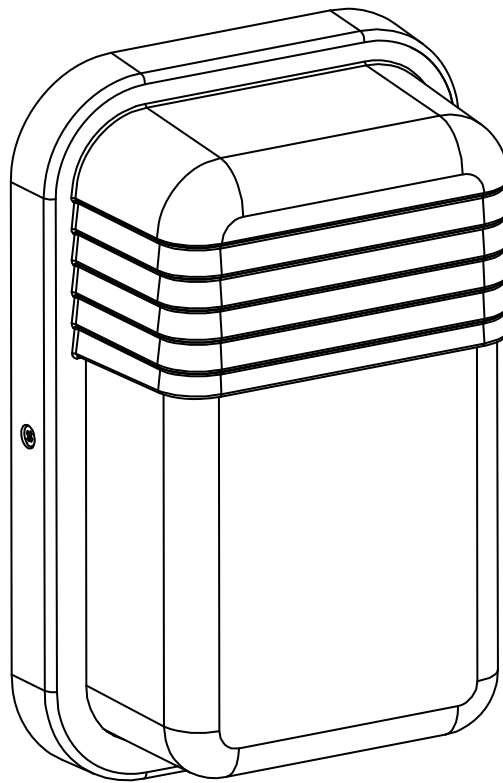




## INSTRUCTION MANUAL

---

Item # 1003928497  
Model # 6381703331



### LUTEC USA CUSTOMER SERVICE

Thank you for purchasing this Lutec Coastal fixture.  
This product has been manufactured with the highest standards of safety and quality.

#### **Questions, problems, missing parts?**

Before returning please call or email our customer service hotline Monday-Friday  
9am-5pm EST (Eastern Standard Time) Toll Free 1-(877) 714-8669

E-mail: [service@lutec.net](mailto:service@lutec.net) Website: [www.lutec.com](http://www.lutec.com)

Please reference your Model # **6381703331**



# TABLE OF CONTENTS

Safety Information.....	2	Tools Required .....	4
Warranty.....	2	Assembly Instruction.....	5-8
Package Contents.....	3	Care and Maintenance .....	8
Hardware Contents .....	3	Troubleshooting.....	8
Installation .....	4		

## SAFETY INFORMATION


Please read and understand this entire manual before attempting to operate or install the product.


**NOTICE:** This equipment has been tested and found to comply with the limits for a Class B digital device, pursuant to Part 15 of the FCC Rules. These limits are designed to provide reasonable protection against harmful interference in a residential installation. This equipment generates, uses, and can radiate radio frequency energy and, if not installed and used in accordance with the instructions, may cause harmful interference to radio communications. However, there is no guarantee that interference will not occur in a particular installation. If this equipment does cause harmful interference to radio or television reception, which can be determined by turning the equipment off and on, the user is encouraged to try to correct the interference by one or more of the following measures:


- Reorient or relocate the receiving antenna.
- Increase the separation between the equipment and receiver.
- Connect the equipment into an outlet on a circuit different from that to which the receiver is connected.
- Consult the dealer or an experienced radio/TV technician for help.


This device complies with Part 15 of the FCC Rules. Operation is subject to the following two conditions.

- (1) This device may not cause harmful interference, and
- (2) This device must accept any interference received, including interference that may cause undesired operation.

 **WARNING:** This light fixture is designed to fit standard junction boxes as defined by the National Electrical Code.

 **WARNING:** Consult a qualified electrician if you are not certain about the installation process. Always install wiring connections in accordance with local code, ordinances and the National Electric Code.

 **WARNING:** Changes or modifications to this unit not expressly approved by the party responsible for compliance could void the user's authority to operate the equipment.

 **WARNING:** Before installing this fixture, turn off all power to the fixture location by turning off power at the main circuit breaker or fuse box.

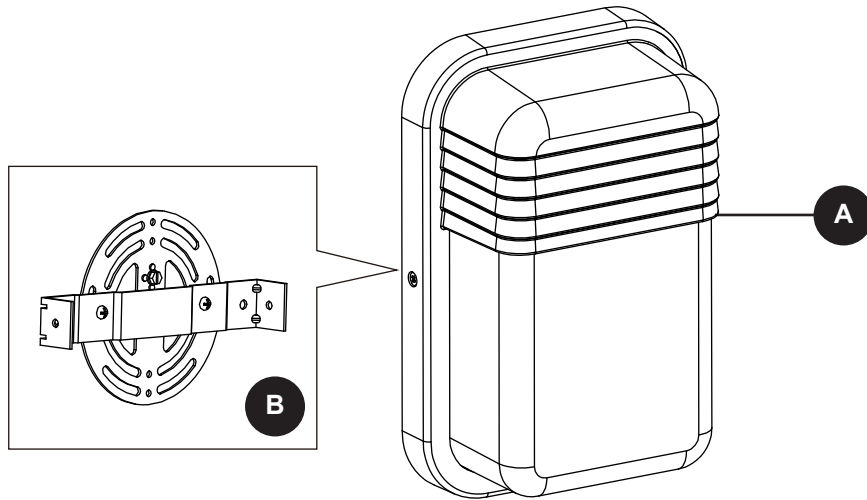
## WARRANTY

The manufacturer warrants this lighting fixture to be free from defects in materials and workmanship for a period of five (5) years (excluding the bulb) from date of purchase. This warranty applies only to the original consumer purchaser and only to products used in normal use and service. If this product is found to be defective, the manufacturer's only obligation, and your exclusive remedy, is the repair or replacement of the product at the manufacturer's discretion, provided that the product has not been damaged through misuse, abuse, accident, modifications, alterations, neglect or mishandling. This warranty shall not apply to any product that is found to have been improperly installed, set-up, or used in any way not in accordance with the instructions supplied with the product. This warranty shall not apply to a failure of the product as a result of an accident, misuse, abuse, negligence, alteration, faulty installation, or any other failure not relating to faulty material or workmanship. This warranty shall not apply to the finish on any portion of the product, due to weathering, as this is considered normal wear and tear. The manufacturer does not warrant and specifically disclaims any warranty, whether express or implied, of fitness for a particular purpose, other than the warranty contained herein. The manufacturer specifically disclaims any liability and shall not be liable for any consequential or incidental loss or damage, including but not limited to, any labor / expense costs involved in the replacement or repair of said product.

Contact the Customer Service Team at 1-877-714-8669 or visit [www.lutec.com](http://www.lutec.com)

# PACKAGE CONTENTS


---



Part	Description	Quantity
A	Fixture	1
B	Mounting plate	1

# HARDWARE CONTENTS

---

 **NOTE:** Parts are not to scale.

AA



Screw  
Qty : 2

BB



Wire Nut  
Qty : 3

# INSTALLATION

---

## INSTALLATION

Before you begin to install this lighting fixture, ensure all parts are present. Compare parts with the Hardware Included and Package Contents lists. If any part is missing or damaged, do not attempt to assemble the product.

## TOOLS REQUIRED

---

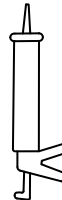
### TOOLS REQUIRED (NOT INCLUDED)



Phillips  
screwdriver



Step  
ladder



Silicone  
sealant



Wire  
strippers  
(optional)

# ASSEMBLY INSTRUCTIONS

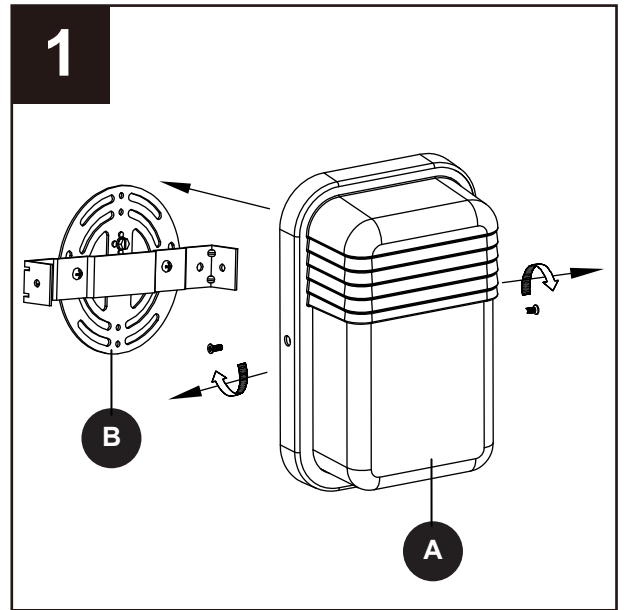


**WARNING:** Consult a qualified electrician if you are not certain about the installation process. Always install wiring connections in accordance with local code, ordinances and the National Electric Code.



**WARNING:** Changes or modifications to this unit not expressly approved by the party responsible for compliance could void the user's authority to operate the equipment.

- 1 Loosen the 2 pre-assembled screws on both sides of the fixture (A) using a Phillips screwdriver. Detach the mounting plate (B) from the fixture (A).



- 2 Attach the mounting plate (B) to the junction box using the screws (AA).



**CAUTION:** Turn the power off at the main circuit breaker or fuse box. Never rely on the wall switch alone to turn off power.

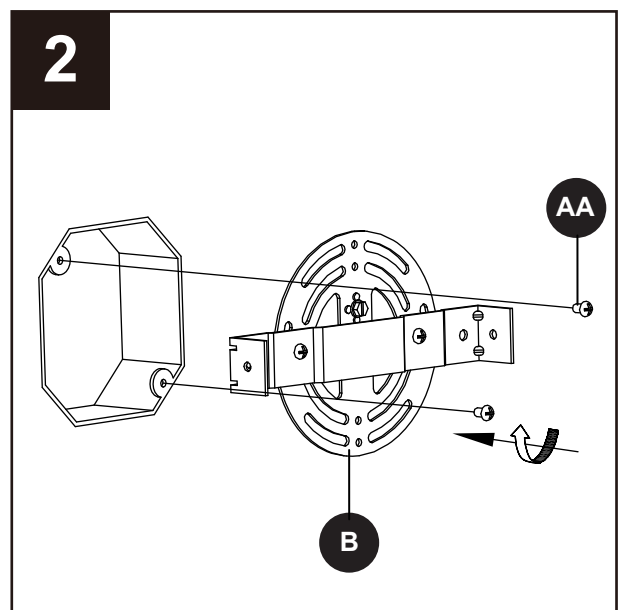
## Hardware used

AA

Screw



x2



# ASSEMBLY INSTRUCTIONS

## 3

Wire connection guide:

**Ground wire:**

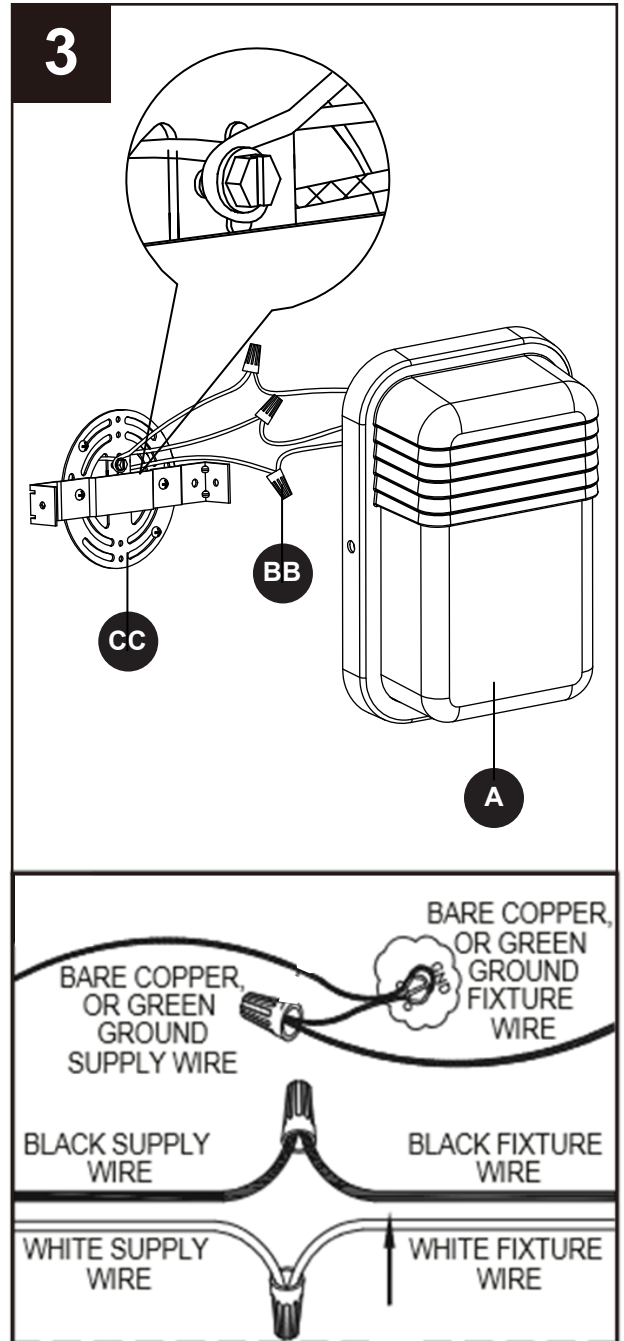
Wrap ground wire from outlet box around ground screw preassembled on mounting plate (CC) no less than 2 in. from wire end. Tighten ground screw. If fixture is supplied with a ground wire, connect to outlet ground wire with a wire nut.

**Supply wires:**

Connect the Neutral (White) supply wire from the outlet box to the Neutral fixture wire (White). Connect the Hot (Black) supply wire from the outlet box to the Hot fixture wire (Black). Tighten by wire nut (BB)

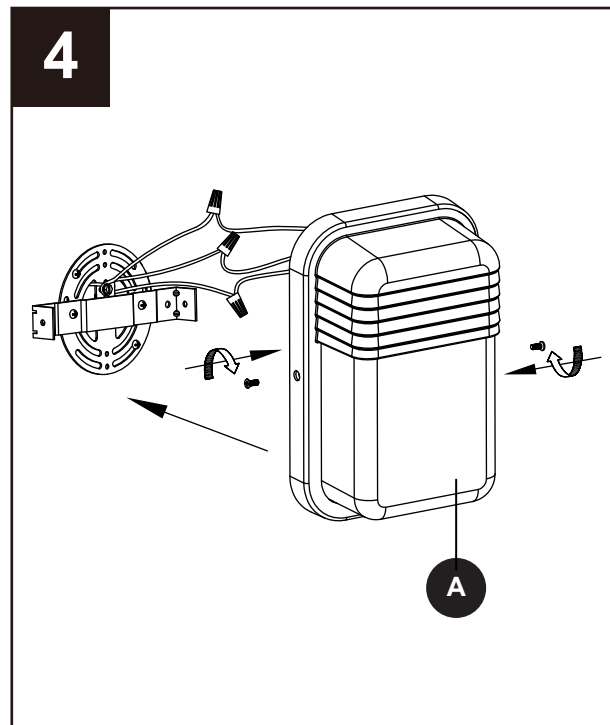
**Hardware used**

**BB** Wire nut  x3

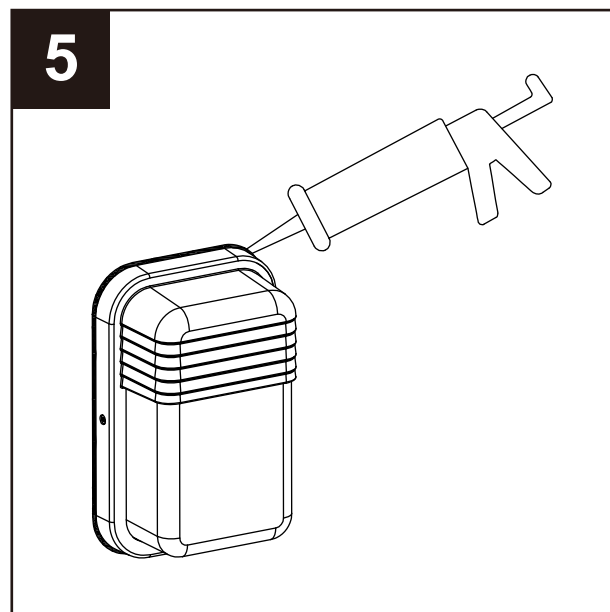


# ASSEMBLY INSTRUCTIONS

- 4** Carefully place the wires into the junction box. Then secure the fixture (A) by screwing the 2 screws removed in step 1.

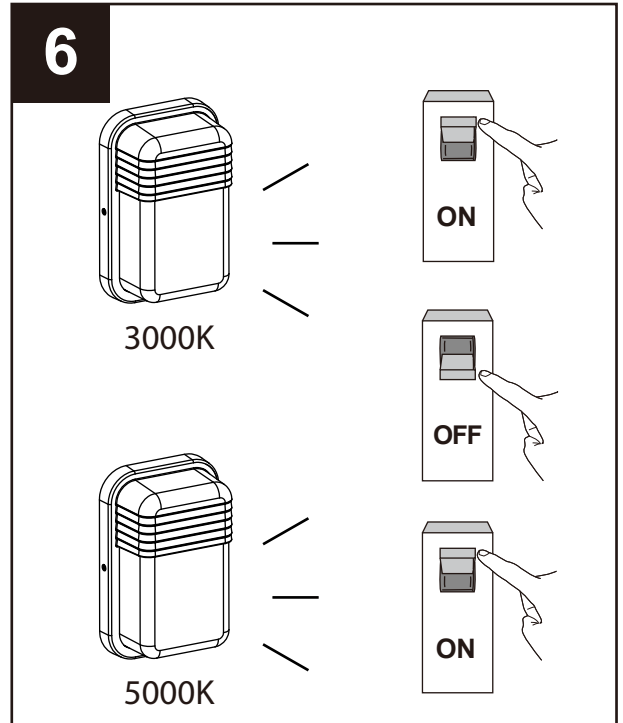


- 5** Apply silicone caulk (not included) completely around the perimeter of the fixture where the back plate meets the mounting surface to prevent water from seeping into the junction box.



# ASSEMBLY INSTRUCTIONS

**6** Color temperature adjustment:  
The initial time the light is energized, the color temperature is 3000K, turn off the switch and on again within 3 seconds, the color temperature changes to 5000K. Repeat this process for desired color temperature.



## CARE AND MAINTENANCE



**CAUTION:** Turn OFF all power to the circuit at the main circuit breaker or fuse box. DO NOT rely on the wall switch alone to turn off power.

- This lantern provides years of maintenance-free service.
- To clean, turn OFF all power to the circuit and clean surfaces with a mild, non-abrasive cleaner.

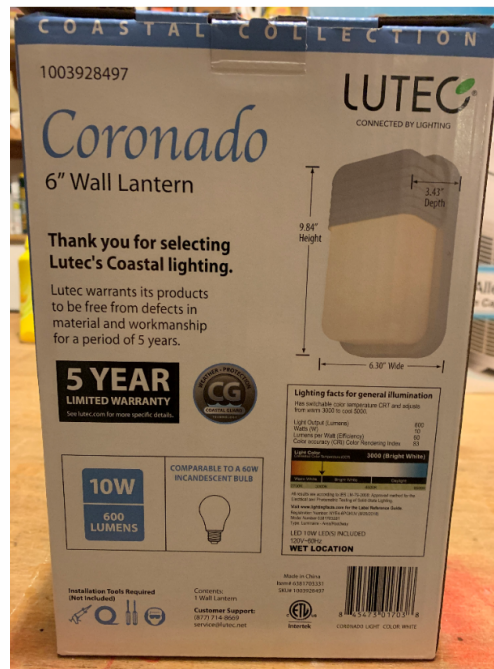
## TROUBLESHOOTING

Problem	Probable Cause	Solution
The light does not illuminate.	There may be a poor connection between the light and the supply wires inside the junction box.	Turn off all power and check the wire connections.
	There is no power going to the light.	Check that the switch is on and there is power to the light fixture.
After turn on-off-on, The color temperature remains in 3000K.	The switch interval is more than 3 seconds.	Turn off the switch and quickly turn it on in 3 seconds.

# WARRANTY

The manufacturer warrants this lighting fixture to be free from defects in materials and workmanship for a period of five (5) years (excluding the bulb) from date of purchase. This warranty applies only to the original consumer purchaser and only to products used in normal use service. If this product is found to be defective, the manufacturer's only obligation, and your exclusive remedy, is the repair or replacement of the product at the manufacturer's discretion, provided that the product has not been damaged through misuse, abuse, accident, modifications, alterations, neglect or mishandling. This warranty shall not apply to any product that is found to have been improperly installed, set-up, or used in any way not in accordance with the instructions supplied with the product. This warranty shall not apply to a failure of the product as a result of an accident, misuse, abuse, negligence, alteration, faulty installation, or any other failure not relating to faulty material or workmanship. This warranty shall not apply to the finish on any portion of the product, due to weathering, as this is considered normal wear and tear. The manufacturer does not warrant and specifically disclaims any warranty, whether express or implied, of fitness for a particular purpose, other than the warranty contained herein. The manufacturer specifically disclaims any liability and shall not be liable for any consequential or incidental loss or damage, including but not limited to, any labor / expense costs involved in the replacement or repair of said product.

Contact the Customer Service Team at 1-877-714-8669 or visit [www.lutec.com](http://www.lutec.com)



Home Depot

May 2020

